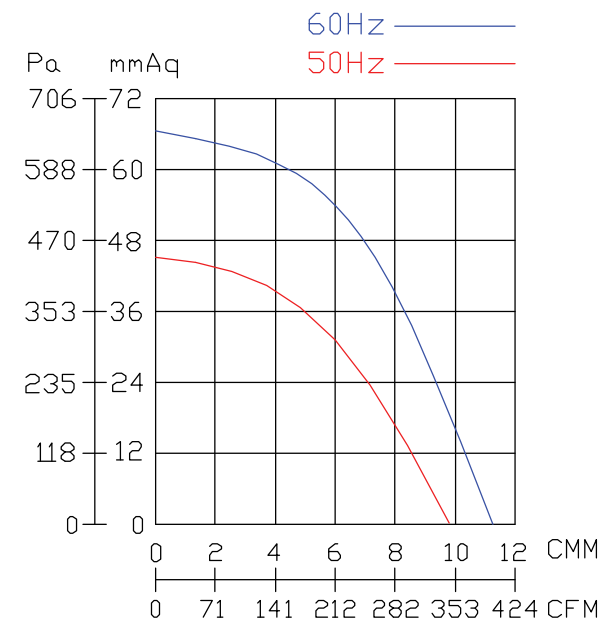
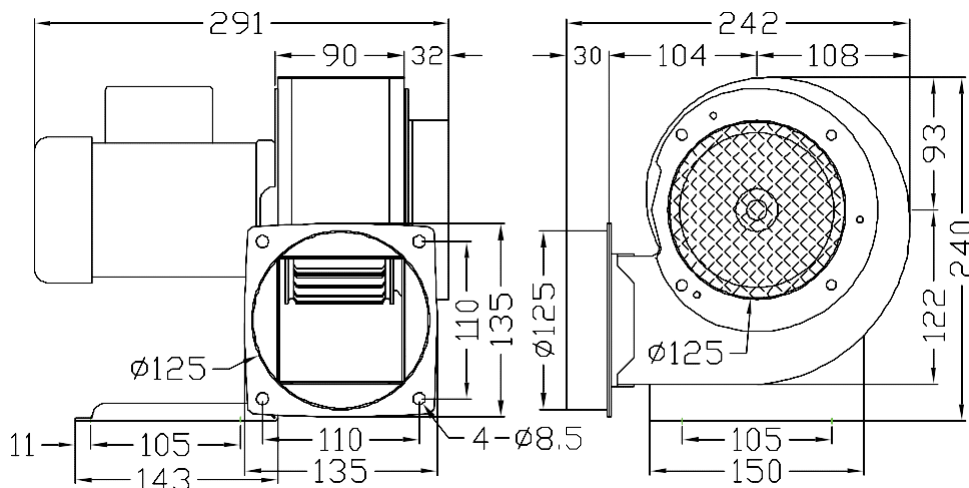


CY125 Specification Sheet



Model	Rated Voltage	Frequency	Phase	Pole	Current	Power	Speed	Max. Air Flow			Max. Pressure			Weight
	V							Hz	Ø	P	A	Watt/HP	R.P.M.	
CY125	240	50	1	2	2.4 / 1.2	200 w	2800	9.5	570	335	46	1.81	451	6.1
		60			3.0 / 1.5			11.6	696	409	66.6	2.62	653	
	415	50	3		0.8 / 0.45			9.5	570	335	46	1.81	451	
		60			1.0 / 0.55			11.6	696	409	66.6	2.62	653	



CAM YORK INDUSTRIAL CO.,LTD.
NO.613 Jifeng Rd., Wufeng Dist., Taichung City 413, Taiwan.

www.sunwins.com.my

Email: sales@sunwins.com.my