



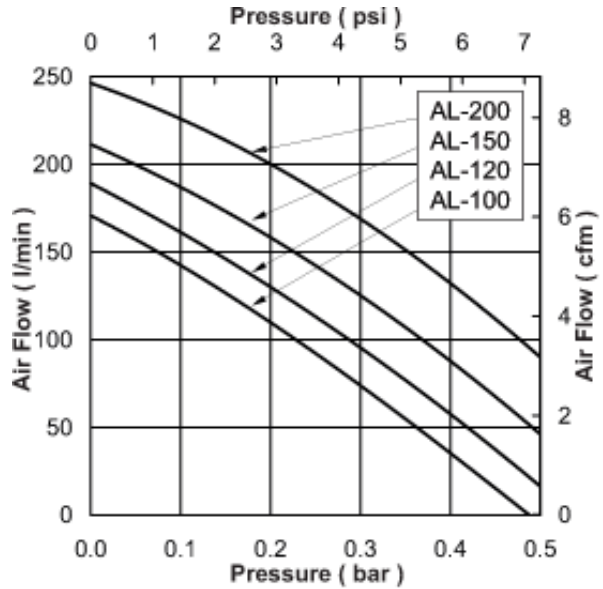
Made In Taiwan

Sunwins Linear Air Pump (HB/AL-100, 120, 150, 200)



AL-100 ~ AL-250

Nominal Performance

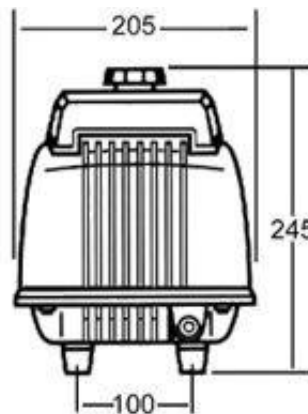
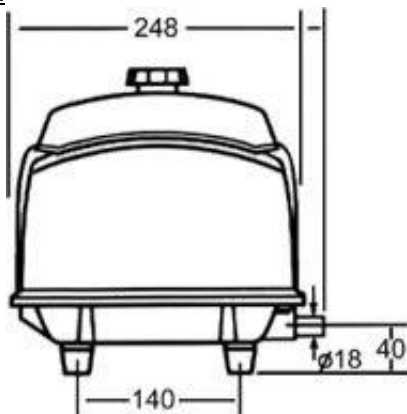


Specification

| Model | HB/AL-100 | HB/AL-120 | HB/AL-150 | HB/AL-200 |
|------------------------------|-----------|-----------|------------|------------|
| Voltage (V) | | AC 240V | | |
| Frequency (Hz) | | 50 | | |
| Rated Pressure (mbar, psi) | 180, 2.6 | | 200, 2.90 | |
| Rated Performance (lpm, cfm) | 113, 4 | 130, 4.6 | 160, 5.6 | 200, 7.0 |
| Rated Input Power (W) | 120 | 124 | 160 | 261 |
| Sound Level (dB) | 41 | 42 | 44 | 45 |
| Discharge O.D. (mm, in) | | | 18, 5/8 | |
| Weight (kg, lb) | 8.3, 18.2 | 8.3, 18.2 | 10.1, 22.3 | 10.1, 22.3 |

Specifications and performance data are subject to change without notice
Actual product may slightly differ than pictures shown

Dimension



Unit (mm)

Application



Home

Life

Medical

Industry

Home

Life

Medical

Industry